

SXR 3D CBCT

Prepare your clinic for any dental imaging demand, with the Saevo SXR MFOV CBCT. Its innovative PMC & MAR algorithms ensure clear and detailed images - improving your diagnostic capabilities, and its 6 FOV options meets the needs of all dental clinicians - allowing you to view entire maxillofacial region. Saevo SXR is your all-in-one dental imaging solution, designed to handle high patient flow.



Possible configurations:

PAN + CBCT



Upgrade options:

(at a future date of your choice)

Equipment:

PAN + CBCT → PAN + CBCT



Saevo Image:

2D and CBCT image acquisition, 2D viewing management and reporting software, included.

On Demand:

3D viewing, measuring, management and reporting software, included.

6 FOV volumes

5x5Ø



6x9Ø



9x9Ø



9x16Ø



15x16Ø



21x16Ø



Focal Spot: 0.5mm

Voxel Size: 75µm - 400µm

Sensor Technology: CMOS/a-Si

Tube Filter: 0.8mm Al equiv. @ 75kV

Total Filter: >4.35mm Al equiv. @ 120kVp

Tube Head Voltage: 60 - 120kV

Reconstruction Time: 18s - 63s

Tube Head: Canon (Toshiba)

Patient Motion Correction: Included

Metallic Artefact Reduction: Included

3D CLINICAL IMAGES

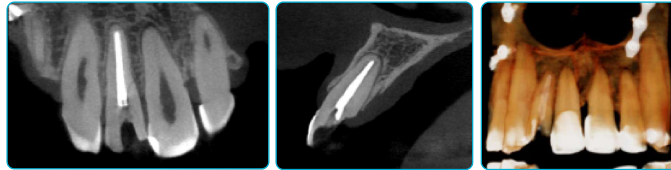
BIG FOV.

MORE YOU CAN **SEE**, MORE YOU CAN **KNOW**

FOV 5x5

5x5Ø - ENDO

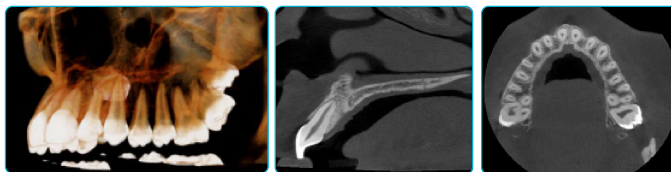
This small FOV is optimal for local diagnostics such as single implant planning, 3rd molar extraction and endodontic procedures. It has a resolution of 75µm and has 4 distinct programs, to better adjust the patient's exposure dose according to the purpose of the exam.



FOV 6x9

6x9Ø - MAXILLA
VOR MANDIBLE

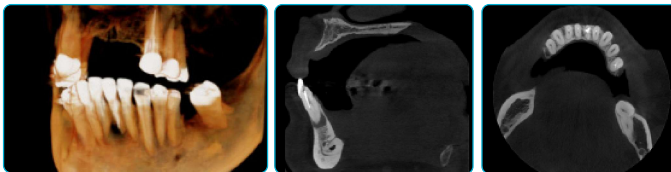
Allows the visualization of 1 arch (maxillary or mandible) and TMJ (left or right condyle separately).



FOV 9x9

9x9Ø - COMPLETE
MANDIBLE

For the visualization of the entire arch, including the mandible, maxilla and mandibular ramus.



FOV 9x16

9x16Ø - EXTENDED
MANDIBLE

Allows visualization of the mandible, maxilla, airways, sinuses and TMJ (closed and/or open) in a single shot.



FOV 15x16

15x16Ø - CRANIUM

Ideal for orthodontics and orthognathic surgery - for a diagnoses of the entire maxillofacial region.



FOV 21x16

21x16Ø - COMPLETE
CRANIUM

Ideal for orthodontics - providing an image of the entire maxillofacial region.



ONDEMAND SOFTWARE LINE

OnDemand3D DENTAL

Optionally, the Eagle Edge line can be accompanied by OnDemand3D Dental software, the leading software in the world due to its user-friendly interface, resource availability, processing speed and security.

Viewer creation

With the OnDemand3D software you can create viewer access. This enables you to share exams with your clients and patients who do not have a specific programme for viewing DICOM files.

This viewer will have access to all the diagnostic tools of the licensed version, such as positioning implants, taking measurements and panoramic cuts.

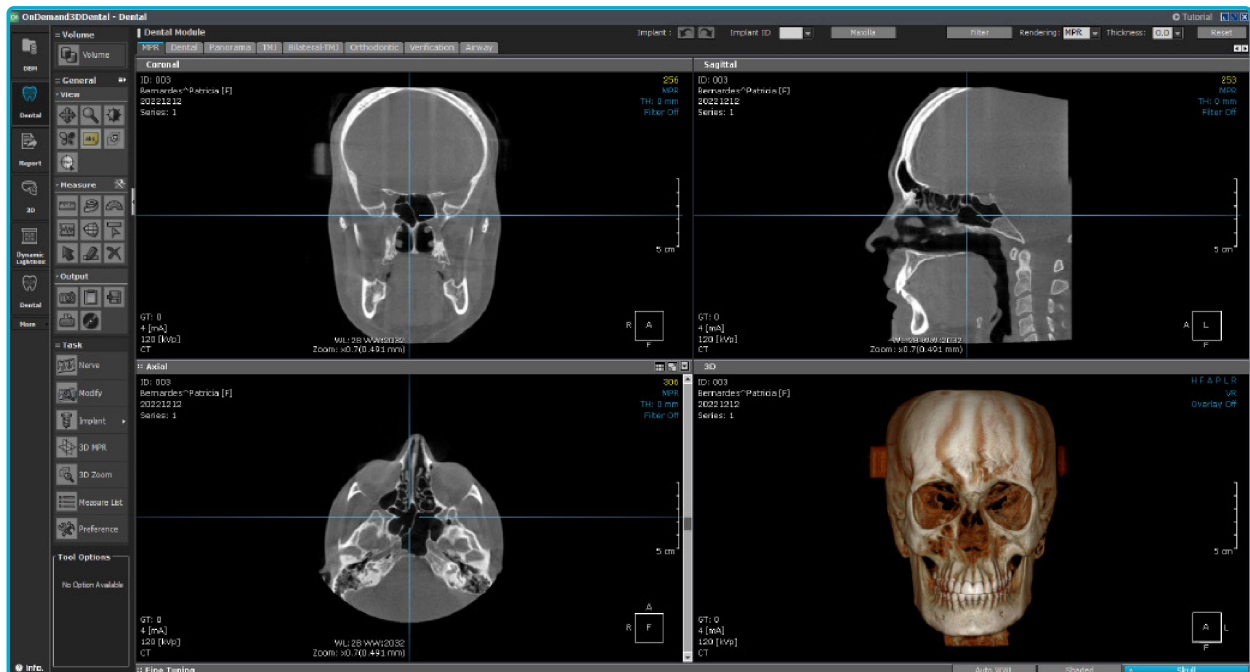
Report

OnDemand3D™ makes reporting easier and simpler for professionals by offering multiple templates for every use.

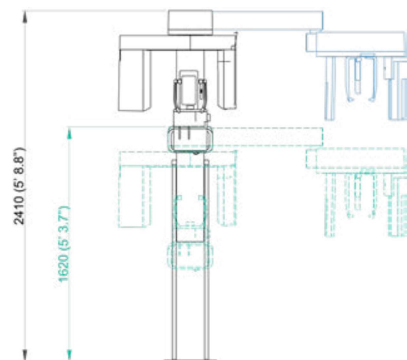
Create your own report template with the X-Report Template Designer. These reports can be stored both in the database and on the computer, in HTML, PPT or PDF format.

CONVERT TO STL

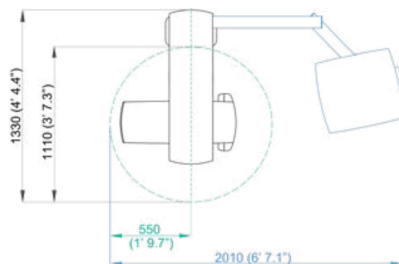
Convert DICOM data to STL data using OnDemand3D™ for use in CAD/CAM software and 3D printers.



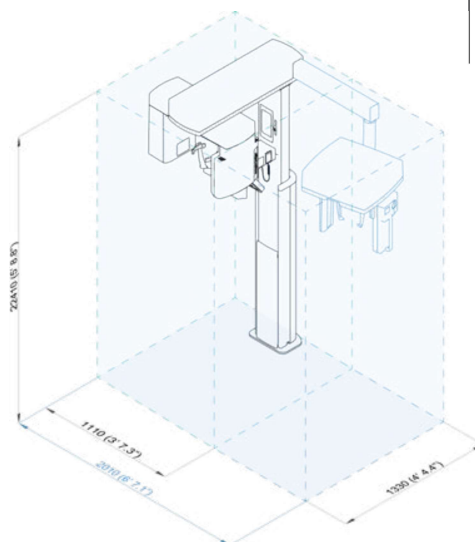
Product Dimensions



FRONT VIEW



TOP VIEW

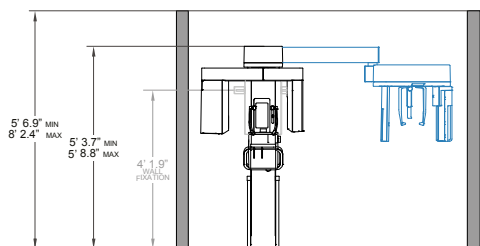


ISOMETRIC

Unit of length: mm (inches)

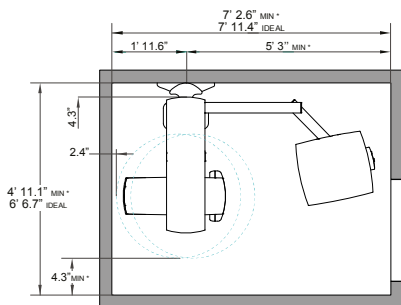
Recommended Room size

Imperial dimensions

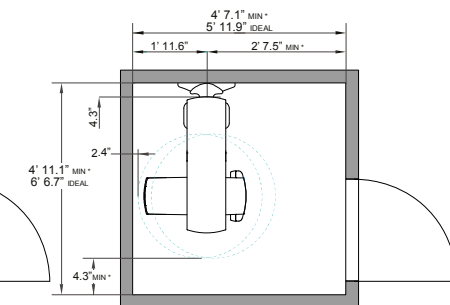


HEIGHT

Unit of length: feet & inches

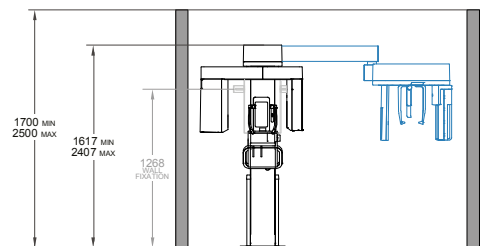


FLOOR AREA WITH CEPH



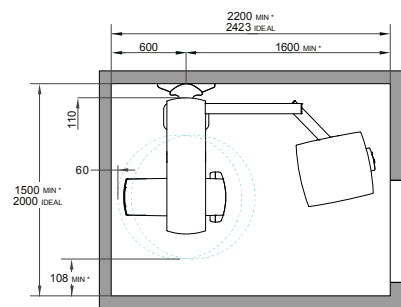
FLOOR AREA WITHOUT CEPH

Metric dimensions

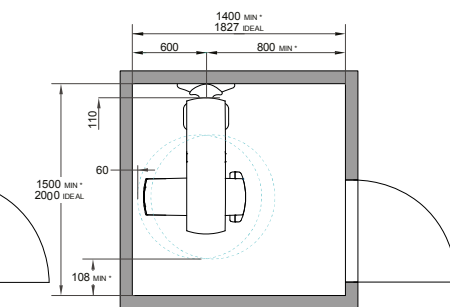


HEIGHT

Unit of length: mm



FLOOR AREA WITH CEPH



FLOOR AREA WITHOUT CEPH

* Minimum room lengths are only viable for rooms with a sliding, or outward opening door.

Local guidelines may vary. Seek guidance from your local health authorities for further information and requirements regarding the installation and operation of the equipment.