

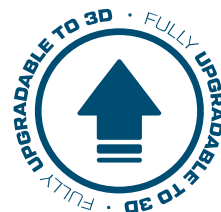
# SXR 2D PAN

The Saevo 2D PAN is designed to give customers the best workflow experience. With its multi-slice feature, you're ensured to see the exact details you need to.



### Possible configurations:

PAN



### Upgrade options:

(at a future date of your choice)

### Equipment:

PAN → PAN



### Saevo Image:

Image acquisition, viewing management and reporting software, included.

**Focal Spot:** 0.5mm

**Pixel Size:** 100µm

**Sensor Technology:** CMOS

**Active Area (Pan Only):** 157.5 x 6.4mm<sup>2</sup>

**Active Area (Pan + Ceph):** 220.5 x 6.4mm<sup>2</sup>

**Tube Filter:** 0.8mm Al equiv. @ 75kV

**Total Filter:** >3.25mm Al equiv. @ 90kVp

**Tube Head Voltage:** 60 - 90 kV

**Tube Head:** Canon (Toshiba)

# PANORAMIC CLINICAL IMAGES

Fast Pan



Panoramic



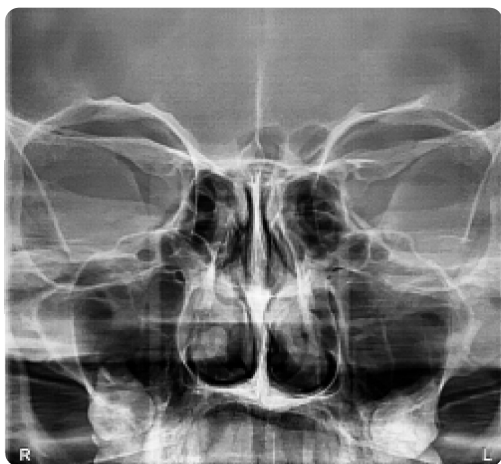
Children's Panoramic



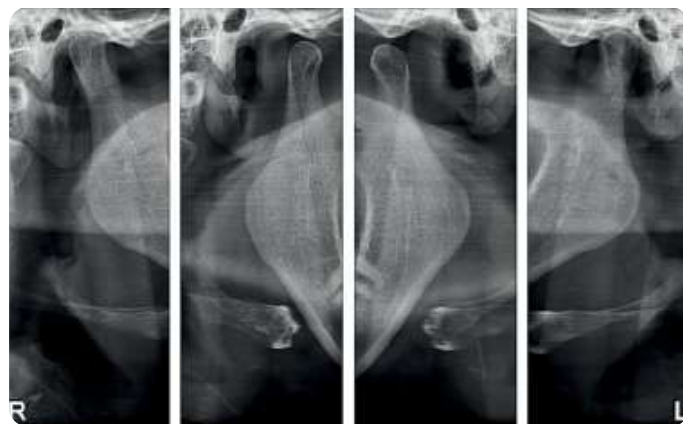
Bitewing



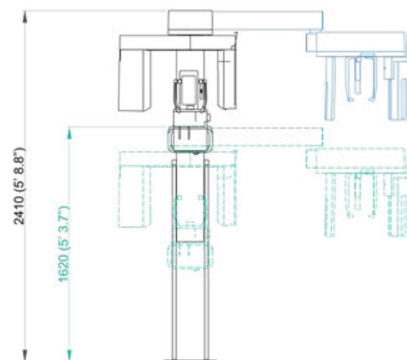
Maxillary Sinuses



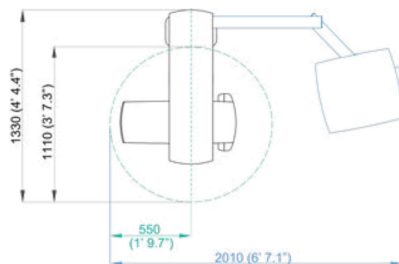
TMJ



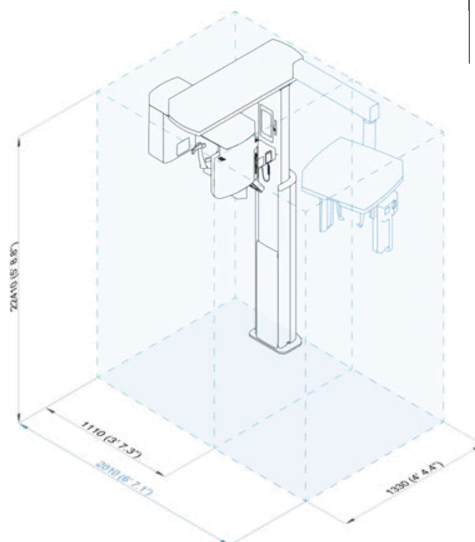
# Product Dimensions



FRONT VIEW



TOP VIEW

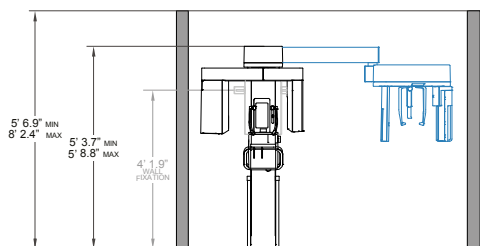


ISOMETRIC

Unit of length: mm (inches)

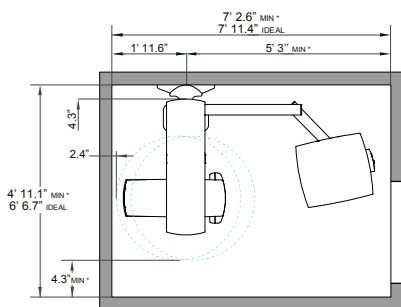
# Recommended Room size

## Imperial dimensions

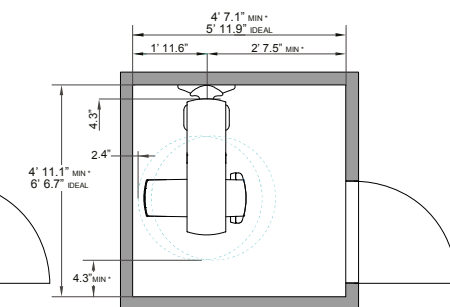


HEIGHT

Unit of length: feet & inches

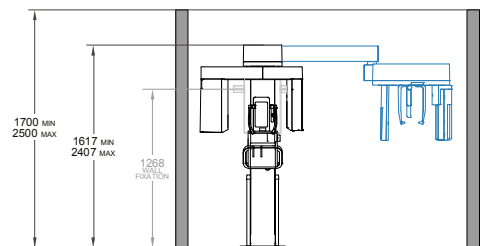


FLOOR AREA WITH CEPH



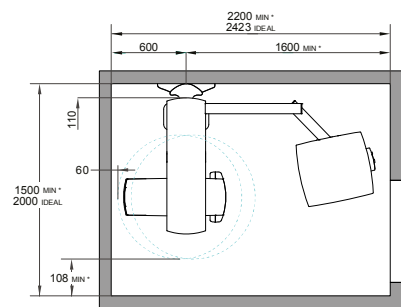
FLOOR AREA WITHOUT CEPH

## Metric dimensions

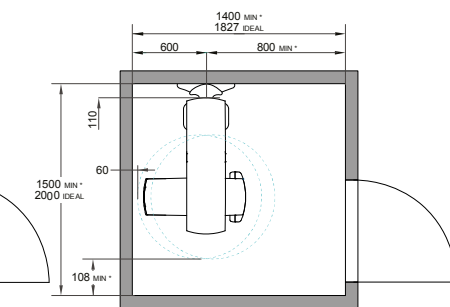


HEIGHT

Unit of length: mm



FLOOR AREA WITH CEPH



FLOOR AREA WITHOUT CEPH

\* Minimum room lengths are only viable for rooms with a sliding, or outward opening door.

Local guidelines may vary. Seek guidance from your local health authorities for further information and requirements regarding the installation and operation of the equipment.